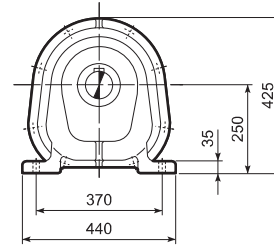
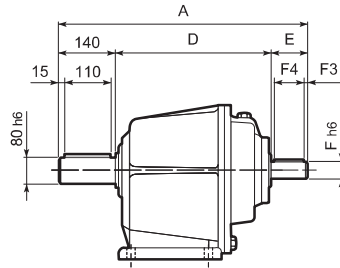
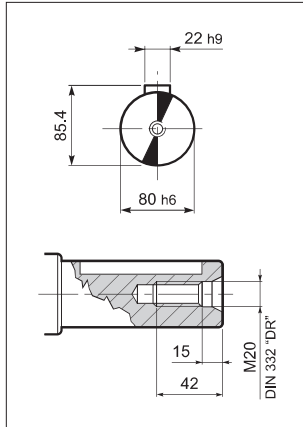
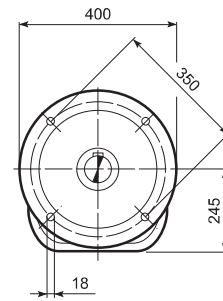
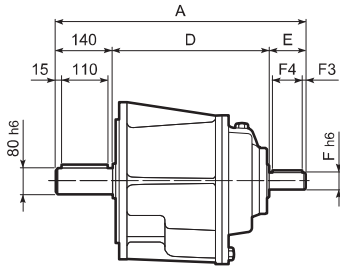
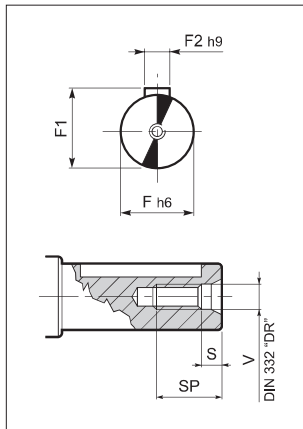


OUTPUT



**P
DP**

INPUT



**F
DF**

	AS 80											
	A	D	E	F	F1	F2	F3	F4	V	S	SP	
AS 80 P_HS	705	455	110	48	51.8	14	10	90	M16	12	36	152
AS 80 DP_HS	690	440	110	42	45.3	12	10	90	M12	9.5	28	147
AS 80 F_HS	705	455	110	48	51.8	14	10	90	M16	12	36	152
AS 80 DF_HS	690	440	110	42	45.3	12	10	90	M12	9.5	28	147